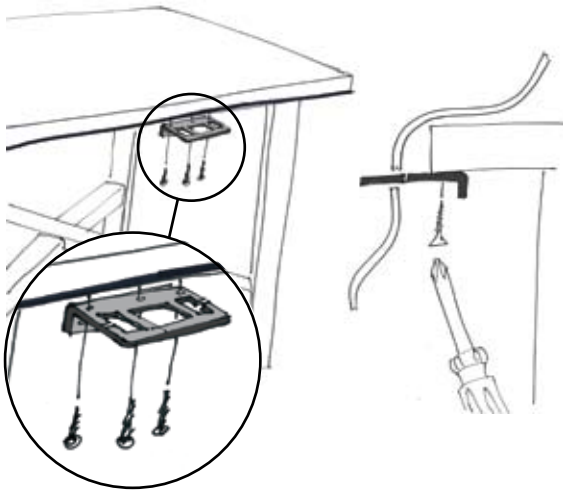


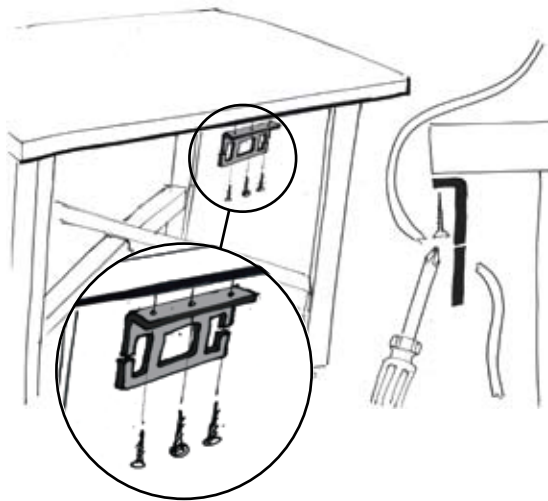
Cord Organizer for the Standing Desk

Our custom made cord organizers help keep your cords tidy and out of the way. How you install them is entirely up to you, but below are a few examples of what we think works best. Each kit contains two cord organizers made of strong, flexible ABS plastic, and six #6 Phillips flat head wood screws.



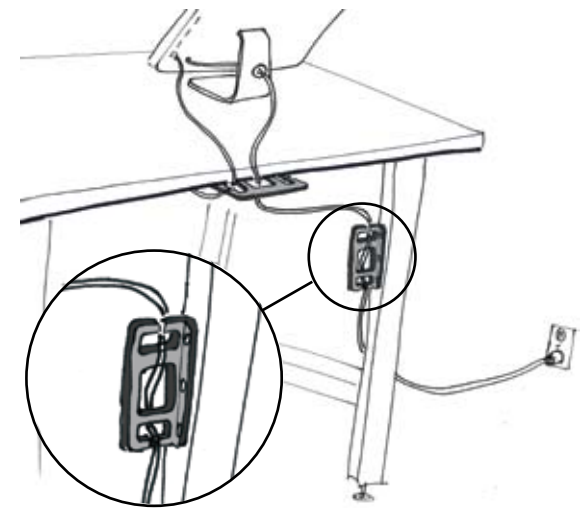
Example 1: Outwards Position

Attaching the cord organizer to the bottom of the desk with the slots facing outwards is ideal for easy access and cord configuration.



Example 2: Downwards Position

Attaching the cord organizer downwards keeps it discreet, and is ideal if the desk is flush against a wall or in a tight space.



Tip: Guiding the Cords

Attaching one cord organizer alongside a table leg keeps the back of the desk open, and the cords guided towards the nearest outlet.